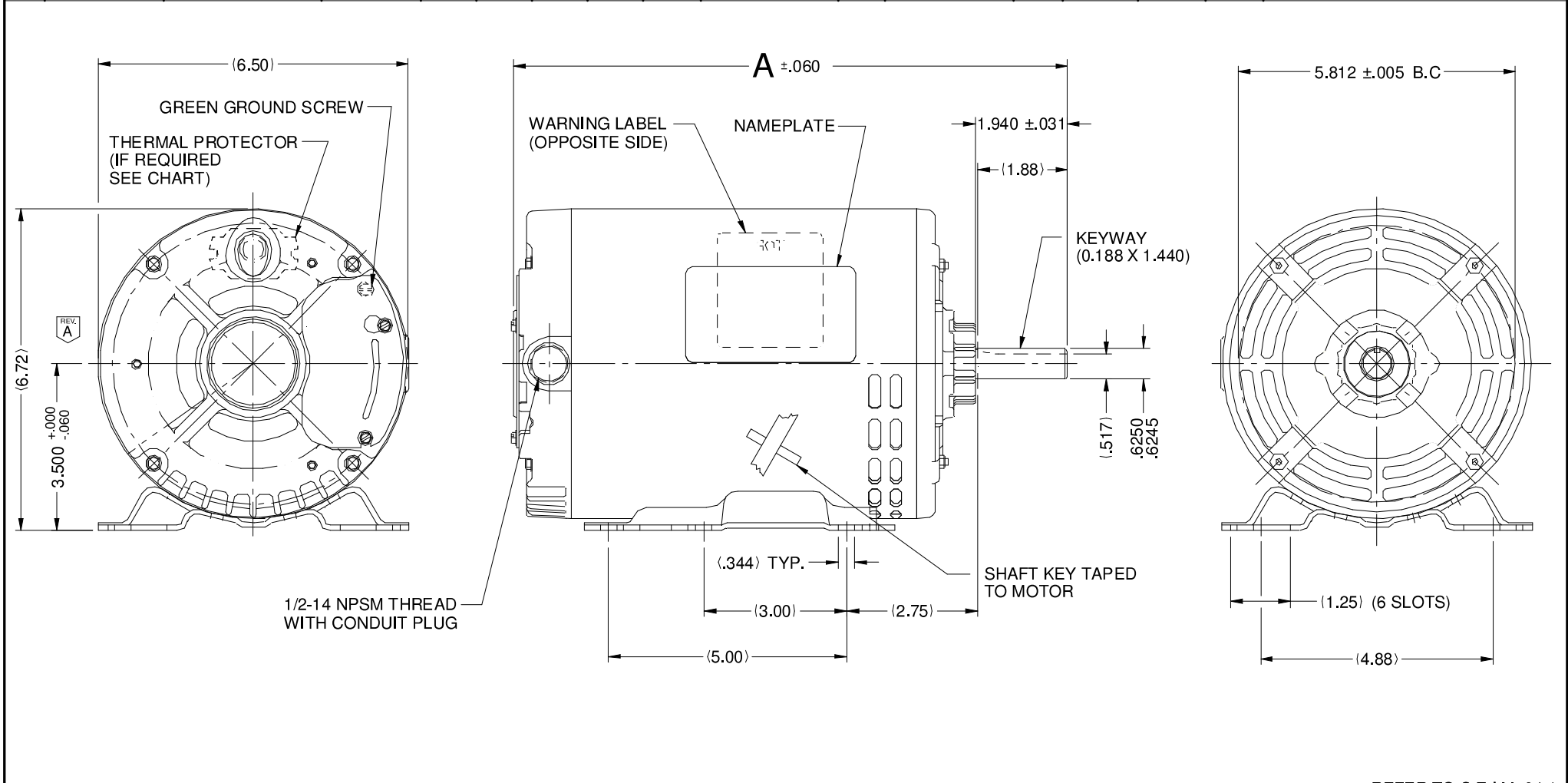




## Catalog #: D32P2GH

Model_Number:	P063FSE1771015B
PRODUCT NAME:	1.5 HP - ODP - 1725
PHASETYPE:	3_POLYPHASE
MOTOR ENCLOSURE:	ODP
HORSEPOWER:	1.5
KILOWATTS:	1.1
POLES:	4
NUMBER SPEEDS:	1
RPM:	1725
HERTZ:	60
VOLTS PRIMARY:	575 V
VOLTS :	575
FRME :	56
SHAFT CODE:	H
STATOR DIAMETER:	6.3
STACK:	3.75
MOUNTING:	RIGID
MOTOR TYPE:	FHP
OPPOSITE END BEARING:	6203
SHAFT END BEARING:	6203
AMBIENT:	40
ROTATION:	REVERSIBLE
SERVICE FACTOR:	1.15
SHIPPING WEIGHT:	35
THERMAL PROTECTION:	NONE
BREAKDOWN TORQUE UOM:	OZFT
LOCKED ROTOR TORQUE UOM:	OZFT
INSULATION CLASS:	B
KVA CODE LETTER:	G
NEMA NOMINAL EFFICIENCY:	86.5
FULL LOAD AMPS PRIMARY:	1.6
SERVICE FACTOR AMPS PRIMARY:	1.8

VAR	MODEL	CUSTOMER	CAT. NO.	A	B	C	D	HP	VOLTS	SF	AMPS	HZ	RPM	CONN VOLTS	PROT.	DESCRIPTION / REMARKS
001	P63FPH-1730	USEM	D1P2GH	12.39	----	----	----	1.0	575	1.15	1.1	60	1725	--	NONE	N56H, ODP
002	P63FSE-1771	USEM	D32P2GH	13.86	----	----	----	1.5	575	1.15	1.6	60	1725	--	NONE	N56H, ODP
003	P63FSF-1772	USEM	D2P2GH	12.89	----	----	----	2.0	575	1.15	2.2	60	1725	--	NONE	N56H, ODP



NIDEC MOTOR CORPORATION 20-Nov-19 REFER TO S.E.I.M. 24-1

REVISION RECORD FOR: E35853		TOLERANCES ON DIMENSIONS (UNLESS OTHERWISE SPECIFIED)		<b>NIDEC MOTOR CORPORATION</b>			
3 HOLES ARE ADDED IN END-SHIELD LEAD END		INCHES .XX = ±.010 .XXX = ±.005		mm		INFORMATION DISCLOSED ON THIS DOCUMENT IS CONSIDERED PROPRIETARY AND SHALL NOT BE REPRODUCED OR DISCLOSED WITHOUT WRITTEN CONSENT OF NIDEC MOTOR CORPORATION	
ISSUED BY: C. TORRES		ENGINEER APPROVED: T. MILLER		ANGLES X° = ±1°		REVISION DATE: 20-NOV-19	
				TITLE: CUSTOMER DETAIL DRAWING		CODE: V02	ITEM NO.: 825739
						REV: A	SHEET NUMBER: 1 OF 4
						DWG SIZE: B	

# General Purpose Three Phase Open Drip Proof (ODP) NEMA<sup>®</sup> Premium Efficient


**NEMA  
Premium**

DE, RE

## APPLICATIONS:

For pumps, fans, compressors, material handling, and other general purpose applications where contaminants are minimal.

## FEATURES:

- Class F Insulation, Class B Rise At Service Factor
- Rolled Steel Frame 56-320, Cast Iron Frame 360-440
- Aluminum End Shields 56-250, Cast Iron End Shields 280-440
- 40°C Ambient, NEMA<sup>®</sup> Design B Performance On 60 Hz Sine Wave Power
- 1.15 Service Factor
- Reversible Rotation
- Regreasable Bearings 210 Frame & Up
- Double Shielded Bearings 140-400, Open on 440
- Bearing Caps On 400 & 440 Frames
- F1 Assembly Position except where noted
- Lifting Provisions 180 Frame & Up
- Conversion Kits: Drip Cover Kits (140-320 Frame)

HP	RPM	Voltage	Frame	Catalog Number	List	Discount Symbol	SF	"C" Dim. (inches)	Ship Wt. (lbs.)	NEMA Nom. Eff.	Full Load Amps	Notes
1/4	1800	208-230/460	48	D14P2B4	\$265	DS-3E	1.35	9.6	17	69.5	1.3-1.3/7	
	1800	208-230/460	56H	D14P2AH	\$275	DS-3E	1.35	10.9	26	69.5	1.1-1.1/0.5	
	1200	208-230/460	56	D14P3A	\$397	DS-3E	1.35	11.9	32	67.2	1.4-1.4/0.7	
1/3	1800	208-230/460	56H	D13P2AH	\$282	DS-3E	1.35	11.4	26	73.4	1.4-1.4/0.7	
1/2	1800	208-230/460	56H	D12P2AH	\$322	DS-3E	1.25	11.4	24	78.2	1.99-1.9/0.98	
	1800	208-230/460	56	D12P2D	\$322	DS-3E	1.00	10.4	20	78.2	2.0-2.0/1.0	
	1200	208-230/460	56H	D12P3AH	\$511	DS-3E	1.25	12.4	38	75.3	2.4/1.2	
3/4	3600	230/460	48	D34P1B	\$346	DS-3E	1.25	10.1	19	76.8	2.4/1.2	
	1800	208-230/460	56	D34P2AH	\$359	DS-3E	1.25	10.0	25	81.1	2.8-2.8/1.4	
1	3600	208-230/460	56	D1P1A	\$400	DS-3E	1.25	10.4	25	77.0	2.8-2.8/1.4	
	1800	200	143T	D1P2H	\$443	DS-3E	1.15	12.8	30	85.5	3.6	
	1800	208-230/460	56H	D1P2AH	\$405	DS-3E	1.15	12.4	32	83.5	3.2-3.0/1.5	
	1800	208-230/460	56HZ	D1P2DHz	\$443	DS-3E	1.15	13.8	26	83.5	3.3-3.3/1.6	
	1800	208-230/460	143T	D1P2D	\$443	DS-3E	1.15	12.8	30	85.5	3.2-3.1/1.6	03
	1800	575	143T	D1P2G	\$443	DS-3E	1.15	12.8	30	85.5	1.3	
	1200	200	145T	D1P3H	\$595	DS-3E	1.15	14.1	35	82.5	4.5	
	1200	208-230/460	145T	D1P3D	\$595	DS-3E	1.15	14.1	35	82.5	4-4/2	03
	1200	575	145T	D1P3G	\$595	DS-3E	1.15	14.1	35	82.5	1.6	
	900	230/460	182T	D1P4E	\$686	DS-3E	1.15	13.7	50	75.5	4.5/2.2	03
1 1/2	3600	200	143T	D32P1H	\$472	DS-3E	1.15	12.8	30	84.0	4.3	
	3600	208-230/460	143T	D32P1D	\$472	DS-3E	1.15	12.8	30	85.5	4.2-3.8/1.9	03
	3600	575	143T	D32P1G	\$472	DS-3E	1.15	12.8	30	85.5	1.5	
	1800	200	145T	D32P2H	\$466	DS-3E	1.15	12.8	35	86.5	4.9	
	1800	208-230/460	56H	D32P2AH	\$466	DS-3E	1.15	12.9	33	86.5	5.0-4.8/2.4	
	1800	208-230/460	145T	D32P2D	\$466	DS-3E	1.15	12.8	35	86.5	4.4-4.2/2.1	03
	1800	230/460	145T	D32P2B2	\$466	DS-3E	1.15	12.8	45	86.5	4.2/2.1	05
	1800	575	145T	D32P2G	\$466	DS-3E	1.15	12.8	35	86.5	1.7	
	1200	200	182T	D32P3H	\$600	DS-3E	1.15	15.0	45	86.5	6.3	
	1200	208-230/460	182T	D32P3D	\$600	DS-3E	1.15	13.7	45	86.5	5.2-5.3/2.6	03
	1200	575	182T	D32P3G	\$600	DS-3E	1.15	13.7	45	86.5	2.1	
	2	3600	200	145T	D2P1H	\$515	DS-3E	1.15	12.8	35	85.5	5.6
3600		208-230/460	56H	D2P1AH	\$462	DS-3E	1.15	11.9	32	85.5	6.0-5.4/2.7	
3600		208-230/460	145T	D2P1D	\$515	DS-3E	1.15	12.8	35	85.5	5.5-5/2.5	03
3600		575	145T	D2P1G	\$515	DS-3E	1.15	12.8	35	85.5	2	
1800		200	145T	D2P2H	\$512	DS-3E	1.15	12.8	35	86.5	6.4	
1800		208-230/460	56H	D2P2AH	\$415	DS-3E	1.15	12.9	40	86.5	6.6-6.6/3.3	
1800		208-230/460	56HZ	D2P2DHz	\$444	DS-3E	1.15	14.3	42	86.5	6.2-6.0/3.0	
1800		208-230/460	145T	D2P2D	\$512	DS-3E	1.15	12.8	35	86.5	5.9-5.6/2.8	03
1800		230/460	145T	D2P2B2	\$512	DS-3E	1.15	12.8	35	86.5	5.6/2.8	05

Note 03 60/50 Hz rated with no derate on HP; 230/460 volt 60 Hz ratings operate on 190/380 volt 50 Hz, 460V 60 Hz ratings operate on 380V 50 Hz; Full 60 & 50 Hz data on Nameplate

Note 05 F2 Assembly Position

# General Purpose Three Phase Open Drip Proof (ODP) NEMA<sup>®</sup> Premium Efficient



**NEMA**  
**Premium**

(continued)

DE, RE

HP	RPM	Voltage	Frame	Catalog Number	List	Discount Symbol	SF	"C" Dim. (inches)	Ship Wt. (lbs.)	NEMA Nom. Eff.	Full Load Amps	Notes
2	1800	575	145T	D2P2G	\$512	DS-3E	1.15	12.8	35	85.5	2.2	
	1200	200	184T	D2P3H	\$672	DS-3E	1.15	15.0	60	87.5	7.3	
	1200	208-230/460	184T	D2P3D	\$672	DS-3E	1.15	13.7	60	87.5	6.4-6.3/3.1	03
	1200	575	184T	D2P3G	\$672	DS-3E	1.15	15.0	60	87.5	2.5	
	900	230/460	213T	D2P4E	\$1,119	DS-3E	1.15	16.0	90	86.5	7.2/3.6	03
3	3600	200	145T	D3P1H	\$529	DS-3E	1.15	12.8	35	85.5	8.4	
	3600	208-230/460	145T	D3P1D	\$529	DS-3E	1.15	12.8	35	85.5	8.3-7.4/3.7	03
	3600	575	145T	D3P1G	\$529	DS-3E	1.15	12.8	35	85.5	2.9	
	1800	200	182T	D3P2H	\$544	DS-3E	1.15	13.7	50	89.5	8.8	
	1800	208-230/460	56HZ	D3P2AHZ	\$576	DS-3E	1.15	13.5	21	86.9	9.7-9.4/4.6	
	1800	208-230/460	182T	D3P2D	\$544	DS-3E	1.15	13.7	50	90.2	8.3-7.6/3.8	03
	1800	208-230/460	182T	D3PA2D	\$794	DS-3E	1.15	15.0	50	90.2	8.3-7.6/3.8	24
	1800	575	182T	D3P2G	\$544	DS-3E	1.15	13.7	50	89.5	3.1	
	1200	200	213T	D3P3H	\$855	DS-3E	1.15	16.0	90	88.5	10.5	
	1200	208-230/460	213T	D3P3D	\$855	DS-3E	1.15	16.0	94	88.5	9.4-8.9/4.4	
	1200	575	213T	D3P3G	\$855	DS-3E	1.15	16.0	90	88.5	3.6	
	900	230/460	215T	D3P4E	\$1,435	DS-3E	1.15	17.5	105	87.5	10.8/5.4	03
5	3600	200	182T	D5P1H	\$564	DS-3E	1.15	13.7	50	88.5	14.1	
	3600	208-230/460	182T	D5P1D	\$564	DS-3E	1.15	13.7	50	86.5	13.8-12.5/6.2	03
	3600	575	182T	D5P1G	\$564	DS-3E	1.15	13.7	50	87.5	5	
	1800	200	184T	D5P2H	\$586	DS-3E	1.15	13.7	70	89.5	14.2	
	1800	208-230/460	184T	D5P2D	\$586	DS-3E	1.15	13.7	70	89.5	13.7-12.4/6.2	03
	1800	208-230/460	184T	D5PA2A	\$836	DS-3E	1.15	15.0	60	89.5	13.8-12.6/6.3	24, LA
	1800	575	184T	D5P2G	\$586	DS-3E	1.15	13.7	70	89.5	4.9	
	1200	200	215T	D5P3H	\$1,122	DS-3E	1.15	17.5	105	89.5	16.1	
	1200	208-230/460	215T	D5P3D	\$1,122	DS-3E	1.15	17.5	105	89.5	15.2-14.5/7.3	LA
	1200	575	215T	D5P3G	\$1,122	DS-3E	1.15	17.5	105	89.5	5.7	
	900	208-230/460	254T	D5P4D	\$2,271	DS-3E	1.15	22.6	150	88.5	16.2-15.7/7.9	02,03
	900	575	254T	D5P4G	\$2,271	DS-3E	1.15	22.6	150	88.5	6.2	02
7 1/2	3600	200	184T	D7P1H	\$880	DS-3E	1.15	13.7	60	88.5	20.8	
	3600	208-230/460	184T	D7P1D	\$880	DS-3E	1.15	13.7	60	88.5	20.3-18.1/9.1	03
	3600	575	184T	D7P1G	\$880	DS-3E	1.15	13.7	60	88.5	7.3	
	1800	200	213T	D7P2H	\$857	DS-3E	1.15	16.0	94	91.0	21.4	
	1800	208-230/460	213T	D7P2D	\$857	DS-3E	1.15	16.0	105	91.0	20.2-18.5/9.3	
	1800	208-230/460	213T	D7PA2A	\$1,207	DS-3E	1.15	16.0	90	91.0	20.5-18.5/9.2	24
	1800	575	213T	D7P2G	\$857	DS-3E	1.15	16.0	94	91.0	7.3	
	1200	200	254T	D7P3H	\$1,423	DS-3E	1.15	22.6	150	91.0	21.9	
	1200	208-230/460	254T	D7P3D	\$1,423	DS-3E	1.15	19.1	150	91.0	20.5-18.9/9.5	02,03
	1200	575	254T	D7P3G	\$1,423	DS-3E	1.15	19.1	150	91.0	7.6	02
	900	208-230/460	256T	D7P4D	\$2,889	DS-3E	1.15	22.6	160	89.5	23.7-22.7/11.3	02,03
	900	575	256T	D7P4G	\$2,889	DS-3E	1.15	23.2	160	89.5	9.1	02
10	3600	200	213T	D10P1H	\$1,029	DS-3E	1.15	16.0	90	90.2	28	
	3600	208-230/460	213T	D10P1D	\$1,029	DS-3E	1.15	16.0	90	90.2	27.1-24.3/12.2	03
	3600	575	213T	D10P1G	\$1,029	DS-3E	1.15	16.0	90	90.2	9.7	
	1800	200	215T	D10P2H	\$1,043	DS-3E	1.15	17.5	100	91.7	28.1	
	1800	208-230/460	215T	D10P2D	\$1,043	DS-3E	1.15	17.5	133	92.4	26.3-23.8/11.9	
	1800	575	215T	D10P2G	\$1,043	DS-3E	1.15	17.5	104	91.7	9.8	
	1200	200	256T	D10P3H	\$1,851	DS-3E	1.15	23.2	160	91.7	29.3	
	1200	208-230/460	256T	D10P3D	\$1,851	DS-3E	1.15	21.0	160	91.7	27.2-25/12.5	02,03
	1200	575	256T	D10P3G	\$1,851	DS-3E	1.15	20.4	160	91.7	10.2	02
	900	208-230/460	284T	D10P4D	\$3,266	DS-3E	1.15	24.9	225	90.2	31-29.2/14.6	02,03

Note 02 Suitable for Wye-Delta start on voltages shown  
 Note 03 60/50 Hz rated with no derate on HP; 230/460 volt 60 Hz ratings operate on 190/380 volt 50 Hz, 460V 60 Hz ratings operate on 380V 50 Hz; Full 60 & 50 Hz data on Nameplate

Note 24 Automatic Reset Thermal Protector Overload  
 Note LA Limited Availability

GENERAL PURPOSE UNIMOUNT™  
 GENERAL PURPOSE C-FACE  
 GENERAL PURPOSE HOSTILE DUTY  
 GENERAL PURPOSE CORRO-DUTY™  
 GENERAL PURPOSE 841 PLUS™  
 GENERAL PURPOSE OPEN DRIPPROOF™  
 GENERAL PURPOSE HAZARDOUS LOCATION  
 GENERAL PURPOSE AUTOMOTIVE DUTY  
 COOLING TOWER DUTY  
 HAZARDOUS LOCATION  
 C-FACE MOTORS  
 VARIABLE SPEED MOTORS AND DRIVES

# General Purpose Three Phase Open Drip Proof (ODP) NEMA® Premium Efficient


**NEMA**  
**Premium**

DE, RE

(continued)

HP	RPM	Voltage	Frame	Catalog Number	List	Discount Symbol	SF	"C" Dim. (inches)	Ship Wt. (lbs.)	NEMA Nom. Eff.	Full Load Amps	Notes
15	3600	200	215T	D15P1H	\$1,414	DS-3E	1.15	17.5	100	90.2	41	
	3600	208-230/460	215T	D15P1D	\$1,414	DS-3E	1.15	17.5	100	90.2	40-36/18	03
	3600	575	215T	D15P1G	\$1,414	DS-3E	1.15	17.5	104	90.2	14.6	
	1800	200	254T	D15P2H	\$1,426	DS-3E	1.15	19.1	150	93.0	42	02
	1800	208-230/460	254T	D15P2D	\$1,426	DS-3E	1.15	19.1	150	93.0	40-37/18.3	02,03
	1800	575	254T	D15P2G	\$1,426	DS-3E	1.15	19.1	150	93.0	14.8	02
	1200	200	284T	D15P3H	\$2,363	DS-3E	1.15	24.9	300	91.7	42	
	1200	208-230/460	284T	D15P3D	\$2,363	DS-3E	1.15	24.9	300	91.7	41-37/18.5	
	1200	575	284T	D15P3G	\$2,363	DS-3E	1.15	24.9	300	91.7	14.7	02
	900	208-230/460	286T	D15P4D	\$4,292	DS-3E	1.15	24.9	250	90.2	46/43	02,03
20	3600	200	254T	D20P1H	\$1,711	DS-3E	1.15	22.6	150	91.7	53	02
	3600	208-230/460	254T	D20P1D	\$1,711	DS-3E	1.15	22.6	150	91.7	52-46/23.1	02,03
	3600	575	254T	D20P1G	\$1,711	DS-3E	1.15	22.6	150	91.0	18.7	02
	1800	200	256T	D20P2H	\$1,829	DS-3E	1.15	23.2	160	93.0	54	02
	1800	208-230/460	256T	D20P2D	\$1,829	DS-3E	1.15	23.2	160	93.0	52-47/23.6	02,03
	1800	575	256T	D20P2G	\$1,829	DS-3E	1.15	23.2	160	93.0	18.8	02
	1200	200	286T	D20P3H	\$2,880	DS-3E	1.15	24.9	325	92.4	56	
	1200	208-230/460	286T	D20P3D	\$2,880	DS-3E	1.15	24.9	325	92.4	53-48/24	02,03
	1200	575	286T	D20P3G	\$2,880	DS-3E	1.15	24.9	325	92.4	19.3	02
	900	230/460	324T	D20P4E	\$4,316	DS-3E	1.15	27.3	385	91.0	54/27	02,03
25	3600	200	256T	D25P1H	\$2,237	DS-3E	1.15	23.2	160	91.7	67	02
	3600	208-230/460	256T	D25P1D	\$2,237	DS-3E	1.15	23.2	160	91.7	65-57/28.7	02,03
	3600	575	256T	D25P1G	\$2,237	DS-3E	1.15	23.2	160	91.7	22.9	02
	1800	200	284T	D25P2H	\$2,214	DS-3E	1.15	24.9	300	93.6	67	02,03
	1800	200	284TS	D25P2HS	\$2,214	DS-3E	1.15	23.5	300	93.6	67	
	1800	208-230/460	284T	D25P2D	\$2,214	DS-3E	1.15	24.9	300	93.6	64-58/29	02,03
	1800	208-230/460	284TS	D25P2DS	\$2,214	DS-3E	1.15	23.5	300	93.6	64-58/29	
	1800	460	284TS	D25P2CS	\$2,214	DS-3E	1.15	23.5	300	93.6	29	
	1800	575	284T	D25P2G	\$2,214	DS-3E	1.15	24.9	300	93.6	23.1	
	1800	575	284TS	D25P2GS	\$2,214	DS-3E	1.15	23.5	300	93.6	23.1	02
	1200	200	324T	D25P3H	\$3,163	DS-3E	1.15	27.3	385	93.0	67	02
	1200	208-230/460	324T	D25P3D	\$3,163	DS-3E	1.15	27.3	385	93.0	65-58/29.1	02,03
	1200	575	324T	D25P3G	\$3,163	DS-3E	1.15	27.3	385	93.0	23.5	02
	900	230/460	326T	D25P4E	\$5,113	DS-3E	1.15	27.3	460	91.0	67/33	02,03
30	3600	200	284TS	D30P1HS	\$2,637	DS-3E	1.15	23.5	225	92.4	78	02
	3600	208-230/460	284TS	D30P1DS	\$2,637	DS-3E	1.15	23.5	300	92.4	79-68/34	
	3600	575	284TS	D30P1GS	\$2,637	DS-3E	1.15	23.5	312	93.0	27.4	
	1800	200	286T	D30P2H	\$2,629	DS-3E	1.15	24.9	350	94.1	79	
	1800	200	286TS	D30P2HS	\$2,629	DS-3E	1.15	23.5	350	94.1	79	
	1800	208-230/460	286T	D30P2D	\$2,629	DS-3E	1.15	24.9	250	94.1	77-69/34	
	1800	208-230/460	286TS	D30P2DS	\$2,629	DS-3E	1.15	23.5	250	94.1	77-69/34	
	1800	575	286T	D30P2G	\$2,629	DS-3E	1.15	24.9	362	94.1	27.7	
	1800	575	286TS	D30P2GS	\$2,629	DS-3E	1.15	23.5	350	94.1	27.5	02
	1200	200	326T	D30P3H	\$3,629	DS-3E	1.15	27.3	415	93.6	81	02,14
	1200	208-230/460	326T	D30P3D	\$3,629	DS-3E	1.15	27.3	415	93.6	78-70/35	02,03,14
	1200	575	326T	D30P3G	\$3,629	DS-3E	1.15	27.3	415	93.6	28	02,14

Note 02 Suitable for Wye-Delta start on voltages shown  
 Note 03 60/50 Hz rated with no derate on HP; 230/460 volt 60 Hz ratings operate on 190/380 volt 50 Hz, 460V 60 Hz ratings operate on 380V 50 Hz; Full 60 & 50 Hz data on Nameplate

Note 14 NEMA Design A

# General Purpose Three Phase Open Drip Proof (ODP) NEMA<sup>®</sup> Premium Efficient



**NEMA  
Premium**

(continued)

DE, RE

HP	RPM	Voltage	Frame	Catalog Number	List	Discount Symbol	SF	"C" Dim. (inches)	Ship Wt. (lbs.)	NEMA Nom. Eff.	Full Load Amps	Notes
40	3600	200	286TS	D40P1HS	\$2,883	DS-3E	1.15	23.5	250	93.0	104	02
	3600	208-230/460	286TS	D40P1DS	\$2,883	DS-3E	1.15	23.5	250	93.0	104-90/45	02,03
	3600	575	286TS	D40P1GS	\$2,883	DS-3E	1.15	23.5	362	93.0	36	
	1800	200	324T	D40P2H	\$2,889	DS-3E	1.15	25.8	454	94.1	105	02
	1800	200	324TS	D40P2HS	\$2,889	DS-3E	1.15	25.8	454	94.1	105	02
	1800	208-230/460	324T	D40P2D	\$2,889	DS-3E	1.15	27.3	385	94.1	102-91/46	02,03
	1800	208-230/460	324TS	D40P2DS	\$2,889	DS-3E	1.15	25.8	454	94.1	102-91/46	02,03
	1800	575	324T	D40P2G	\$2,889	DS-3E	1.15	27.3	454	94.5	37	
	1800	575	324TS	D40P2GS	\$2,889	DS-3E	1.15	25.8	454	94.1	36	02
	1200	230/460	364T	D40P3E	\$5,786	DS-3E	1.15	28.7	580	94.5	92/46	02,03
	1200	575	364T	D40P3G	\$5,786	DS-3E	1.15	28.7	580	94.5	37	02
	900	230/460	365T	D40P4E	\$7,020	DS-3E	1.15	29.7	600	92.4	106/53	02,03
50	3600	200	324TS	D50P1HS	\$3,243	DS-3E	1.15	25.8	385	93.0	134	02
	3600	208-230/460	324TS	D50P1DS	\$3,243	DS-3E	1.15	25.8	450	93.0	130-117/59	02,03
	3600	575	324TS	D50P1GS	\$3,243	DS-3E	1.15	25.8	385	93.0	47	02
	1800	200	326T	D50P2H	\$3,386	DS-3E	1.15	27.3	415	94.5	130	02
	1800	200	326TS	D50P2HS	\$3,386	DS-3E	1.15	25.8	415	94.5	130	02
	1800	208-230/460	326T	D50P2D	\$3,386	DS-3E	1.15	27.3	460	94.5	126-113/56	02,03
	1800	208-230/460	326TS	D50P2DS	\$3,386	DS-3E	1.15	25.8	415	94.5	56	02,03
	1800	460 & 380	326TS	D50P2FS	\$3,386	DS-3E	1.15	25.8	415	94.5	56	02,03
	1800	575	326T	D50P2G	\$3,386	DS-3E	1.15	27.3	460	94.5	46	
	1800	575	326TS	D50P2GS	\$3,386	DS-3E	1.15	25.8	415	94.5	45	02
	1200	230/460	365T	D50P3E	\$6,506	DS-3E	1.15	29.7	580	94.5	115/57	
	1200	575	365T	D50P3G	\$6,506	DS-3E	1.15	29.7	580	94.5	46	02
900	230/460	404T	D50P4E	\$8,364	DS-3E	1.15	32.5	750	92.4	132/66	02,03	
60	3600	200	326TS	D60P1HS	\$4,469	DS-3E	1.15	25.8	460	93.6	155	02
	3600	208-230/460	326TS	D60P1DS	\$4,469	DS-3E	1.15	25.8	460	93.6	152-134/67	02,03
	3600	575	326TS	D60P1GS	\$4,469	DS-3E	1.15	25.8	415	93.6	54	02,14
	1800	230/460	364T	D60P2E	\$4,657	DS-3E	1.15	28.7	580	95.0	138/69	02,03
	1800	230/460	364TS	D60P2ES	\$4,657	DS-3E	1.15	26.6	580	95.0	138/69	
	1800	460 & 380	364TS	D60P2FS	\$4,657	DS-3E	1.15	26.6	580	95.0	69	
	1800	575	364T	D60P2G	\$4,657	DS-3E	1.15	28.7	580	95.0	55	02
	1800	575	364TS	D60P2GS	\$4,657	DS-3E	1.15	26.6	580	95.0	55	02
	1200	230/460	404T	D60P3E	\$7,706	DS-3E	1.15	32.6	750	95.0	137/69	02,03
	1200	575	404T	D60P3G	\$7,706	DS-3E	1.15	32.6	750	94.5	55	
	900	230/460	405T	D60P4E	\$9,698	DS-3E	1.15	34.0	800	93.0	157/79	02,03
	75	3600	230/460	364TS	D75P1ES	\$5,886	DS-3E	1.15	26.6	580	94.1	171/86
3600		575	364TS	D75P1GS	\$5,886	DS-3E	1.15	26.6	580	94.1	69	02
1800		230/460	365T	D75P2E	\$5,514	DS-3E	1.15	29.7	735	95.0	172/86	02,03
1800		230/460	365TS	D75P2ES	\$5,514	DS-3E	1.15	27.6	600	95.0	172/86	
1800		460 & 380	365TS	D75P2FS	\$5,514	DS-3E	1.15	27.6	600	95.0	86	
1800		575	365T	D75P2G	\$5,514	DS-3E	1.15	29.7	600	95.0	69	02
1800		575	365TS	D75P2GS	\$5,514	DS-3E	1.15	27.6	600	95.0	69	02
1200		230/460	405T	D75P3E	\$8,674	DS-3E	1.15	34.1	800	95.0	172/86	02,03
1200		575	405T	D75P3G	\$8,674	DS-3E	1.15	34.1	800	94.5	69	02
900		230/460	444T	D75P4E	\$11,665	DS-3E	1.15	39.8	1100	94.1	194/97	02,03

Note 02 Suitable for Wye-Delta start on voltages shown  
 Note 03 60/50 Hz rated with no derate on HP; 230/460 volt 60 Hz ratings operate on 190/380 volt 50 Hz, 460V 60 Hz ratings operate on 380V 50 Hz;  
 Full 60 & 50 Hz data on Nameplate  
 Note 14 NEMA Design A

GENERAL PURPOSE UNIMOUNT™  
 GENERAL PURPOSE C-FACE  
 GENERAL PURPOSE HOSTILE DUTY  
 GENERAL PURPOSE CORRO-DUTY™  
 GENERAL PURPOSE 841 PLUS™  
 GENERAL PURPOSE OPEN DRIPPROOF™  
 GENERAL PURPOSE HAZARDOUS LOCATION  
 GENERAL PURPOSE AUTOMOTIVE DUTY  
 COOLING TOWER DUTY  
 HAZARDOUS LOCATION  
 C-FACE MOTORS  
 VARIABLE SPEED MOTORS AND DRIVES

## General Purpose Three Phase Open Drip Proof (ODP) NEMA<sup>®</sup> Premium Efficient


**NEMA  
Premium**

DE, RE

(continued)

HP	RPM	Voltage	Frame	Catalog Number	List	Discount Symbol	SF	"C" Dim. (inches)	Ship Wt. (lbs.)	NEMA Nom. Eff.	Full Load Amps	Notes
100	3600	230/460	365TS	D100P1ES	\$6,500	DS-3E	1.15	27.6	600	94.1	224/112	LA
	3600	575	365TS	D100P1GS	\$6,500	DS-3E	1.15	27.6	600	94.1	90	02
	1800	230/460	404T	D100P2E	\$6,571	DS-3E	1.15	32.6	750	95.4	226/113	02,03
	1800	230/460	404TS	D100P2ES	\$6,571	DS-3E	1.15	29.6	750	95.4	226/113	02,03
	1800	460 & 380	404TS	D100P2FS	\$6,571	DS-3E	1.15	29.6	750	95.4	113	02,03
	1800	575	404T	D100P2G	\$6,571	DS-3E	1.15	32.6	750	95.4	90	02
	1800	575	404TS	D100P2GS	\$6,571	DS-3E	1.15	29.6	750	95.4	90	02
	1200	230/460	444T	D100P3E	\$10,274	DS-3E	1.15	39.8	1100	95.0	234/117	02,03
	1200	575	444T	D100P3G	\$10,274	DS-3E	1.15	39.8	1100	95.0	94	02
	900	230/460	445T	D100P4E	\$16,450	DS-3E	1.15	39.8	1200	94.1	255/128	02,03
125	3600	460 & 380	404TS	D125P1FS	\$8,706	DS-3E	1.15	29.6	750	95.0	136	02,03
	3600	575	404TS	D125P1GS	\$8,706	DS-3E	1.15	29.6	750	94.5	109	02
	1800	460 & 380	405T	D125P2F	\$8,743	DS-3E	1.15	34.1	800	95.4	140	02,03
	1800	460 & 380	405TS	D125P2FS	\$8,743	DS-3E	1.15	31.1	800	95.4	140	02,03
	1800	575	405T	D125P2G	\$8,743	DS-3E	1.15	34.1	800	95.4	112	
	1800	575	405TS	D125P2GS	\$8,743	DS-3E	1.15	31.1	800	95.4	112	02
	1200	460 & 380	445T	D125P3F	\$11,097	DS-3E	1.15	39.8	1200	95.0	146	02,03
	1200	575	445T	D125P3G	\$11,097	DS-3E	1.15	39.8	1200	95.0	118	02
150	3600	460 & 380	405TS	D150P1FS	\$10,743	DS-3E	1.15	31.1	800	94.5	164	02,03
	3600	575	405TS	D150P1GS	\$10,743	DS-3E	1.15	31.1	813	94.1	131	
	1800	460 & 380	444T	D150P2F	\$11,431	DS-3E	1.15	39.8	1100	95.8	170	02,03
	1800	460 & 380	444TS	D150P2FS	\$11,431	DS-3E	1.15	36.1	1100	95.8	170	02,03
	1800	575	444T	D150P2G	\$11,431	DS-3E	1.15	39.8	1100	95.8	135	02
	1200	460 & 380	445T	D150P3F	\$14,949	DS-3E	1.15	39.8	1200	95.4	174	02,03
	1200	575	445T	D150P3G	\$14,949	DS-3E	1.15	39.8	1200	95.4	141	
200	3600	460 & 380	444TS	D200P1FS	\$13,917	DS-3E	1.15	36.1	1100	95.0	224	02,03
	3600	575	444TS	D200P1GS	\$13,917	DS-3E	1.15	36.1	1100	95.0	179	02
	1800	460 & 380	445T	D200P2F	\$14,286	DS-3E	1.15	39.8	1200	95.8	225	02,03
	1800	460 & 380	445TS	D200P2FS	\$14,286	DS-3E	1.15	36.1	1200	95.8	225	02,03
	1800	575	445T	D200P2G	\$14,286	DS-3E	1.15	39.8	1200	95.8	179	02
	1200	460 & 380	447T	D200P3F	\$19,649	DS-3E	1.15	43.3	1700	95.4	250	02,03
	1200	575	447T	D200P3G	\$19,649	DS-3E	1.15	43.3	1700	95.4	205	02
	250	3600	460 & 380	445TS	D250P1FS	\$18,343	DS-3E	1.15	36.1	1200	95.0	276
3600		575	445TS	D250P1GS	\$18,343	DS-3E	1.15	36.1	1200	95.0	222	02
1800		460 & 380	445T	D250P2FF	\$16,151	DS-3E	1.15	39.8	1200	95.8	280	02,03
1800		460 & 380	445TS	D250P2FFS	\$16,151	DS-3E	1.15	36.1	1200	95.8	280	02,03
1800		575	445T	D250P2GF	\$16,151	DS-3E	1.15	39.8	1200	95.8	224	02
1200		575	447T	D250P3G	\$22,343	DS-3E	1.15	43.3	1700	95.4	228	02

- Note 02 Suitable for Wye-Delta start on voltages shown  
 Note 03 60/50 Hz rated with no derate on HP; 230/460 volt 60 Hz ratings operate on 190/380 volt 50 Hz, 460V 60 Hz ratings operate on 380V 50 Hz; Full 60 & 50 Hz data on Nameplate  
 Note LA Limited Availability

# General Purpose Three Phase Open Drip Proof (ODP) NEMA<sup>®</sup> Premium Efficient



**NEMA**  
**Premium**

(continued)

DE, RE

HP	RPM	Voltage	Frame	Catalog Number	List	Discount Symbol	SF	"C" Dim. (inches)	Ship Wt. (lbs.)	NEMA Nom. Eff.	Full Load Amps	Notes
300	3600	460 & 380	445TS	D300P1FFS	\$25,362	DS-3E	1.15	36.1	1200	95.4	325	02,03
	1800	460 & 380	447T	D300P2F	\$21,169	DS-3E	1.15	43.3	1700	95.8	328	
	1800	460 & 380	447TS	D300P2FS	\$21,169	DS-3E	1.15	39.5	1700	95.8	328	
	1800	575	447TS	D300P2GS	\$21,169	DS-3E	1.15	39.5	1700	95.8	262	02, 03
350	3600	460 & 380	447TS	D350P1FS	\$29,028	DS-3E	1.15	39.5	1723	95.8	379	
	1800	460 & 380	447T	D350P2F	\$28,679	DS-3E	1.15	43.3	1700	95.8	383	
	1800	460 & 380	447TS	D350P2FS	\$28,679	DS-3E	1.15	39.5	1723	95.8	383	
400	3600	460 & 380	449TS	D400P1FS	\$34,056	DS-3E	1.15	44.5	2000	95.8	432	
	1800	460 & 380	449T	D400P2F	\$33,647	DS-3E	1.15	48.3	2000	95.8	442	

Note 02 Suitable for Wye-Delta start on voltages shown  
 Note 03 60/50 Hz rated with no derate on HP; 230/460 volt 60 Hz ratings operate on 190/380 volt 50 Hz, 460V 60 Hz ratings operate on 380V 50 Hz;  
 Full 60 & 50 Hz data on Nameplate

GENERAL PURPOSE UNIMOUNT™  
 GENERAL PURPOSE C-FACE  
 GENERAL PURPOSE HOSTILE DUTY  
 GENERAL PURPOSE CORRO-DUTY™  
 GENERAL PURPOSE 841 PLUS™  
 GENERAL PURPOSE OPEN DRIPPROOF™  
 GENERAL PURPOSE HAZARDOUS LOCATION  
 GENERAL PURPOSE AUTOMOTIVE DUTY  
 COOLING TOWER DUTY  
 HAZARDOUS LOCATION  
 C-FACE MOTORS  
 VARIABLE SPEED MOTORS AND DRIVES